

Taping Specifications for Chip Type Capacitors

Carrier tape

Fig.1 For $\phi 3$ to $\phi 10$

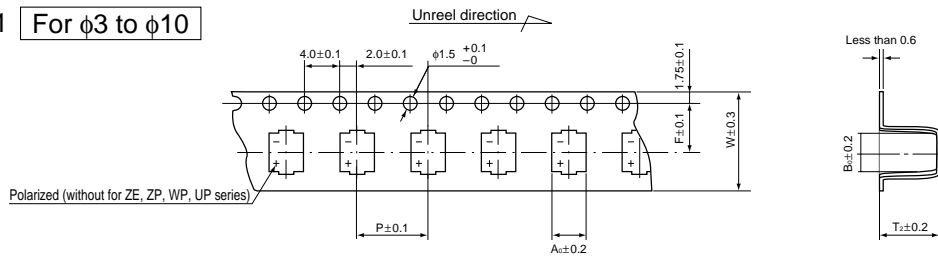
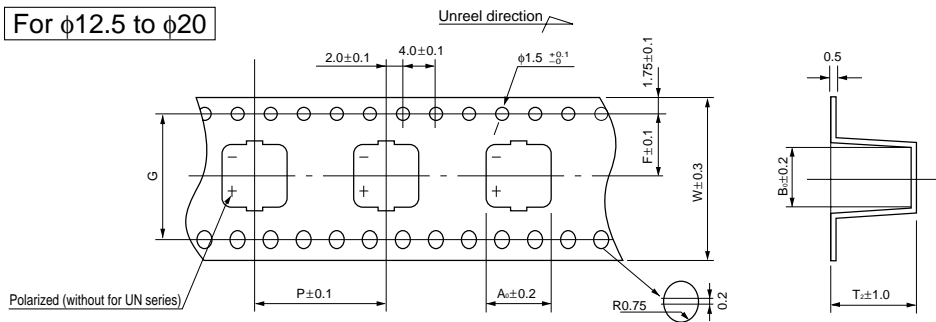


Fig.2 For $\phi 12.5$ to $\phi 20$



Size	Item							fig.	Series			
	W	P	F	A0	B0	T2	G					
$\phi 4 \times 5.5$ L	12.0	8.0	5.5	4.7	4.7	5.7	—	1	CF, CJ, CG			
$\phi 5 \times 6$ L	12.0	12.0	5.5	5.7	5.7	6.3						
$\phi 6.3 \times 5.5$ L	16.0	12.0	7.5	7.0	7.0	5.7						
$\phi 6.3 \times 6$ L	16.0	12.0	7.5	7.0	7.0	6.3						
$\phi 6.3 \times 8$ L	16.0	12.0	7.5	7.0	7.0	8.2						
$\phi 8 \times 7$ L	24.0	12.0	11.5	8.7	8.7	7.3						
$\phi 8 \times 8$ L	24.0	12.0	11.5	8.7	8.7	8.3						
$\phi 8 \times 10$ L	24.0	16.0	11.5	8.7	8.7	11.0						
$\phi 8 \times 12$ L	24.0	16.0	11.5	8.7	8.7	12.3						
$\phi 10 \times 8$ L	24.0	16.0	11.5	10.7	10.7	8.3						
$\phi 10 \times 10$ L	24.0	16.0	11.5	10.7	10.7	11.0						
$\phi 10 \times 12.7$ L	24.0	16.0	11.5	10.7	10.7	12.8						
$\phi 4 \times 3$ L	12.0	8.0	5.5	4.7	4.7	3.2				—	1	ZD
$\phi 5 \times 3$ L	12.0	12.0	5.5	6.0	6.0	3.2						
$\phi 6.3 \times 3$ L	16.0	12.0	7.5	7.0	7.0	3.2						
$\phi 4 \times 3.9$ L	12.0	8.0	5.5	4.7	4.7	4.3	—	1	ZR, ZE, ZG			
$\phi 5 \times 3.9$ L	12.0	12.0	5.5	6.0	6.0	4.3						
$\phi 6.3 \times 3.9$ L	16.0	12.0	7.5	7.0	7.0	4.4	—	1	ZS, ZP, ZT			
$\phi 4 \times 4.5$ L	12.0	8.0	5.5	4.7	4.7	4.9						
$\phi 5 \times 4.5$ L	12.0	12.0	5.5	6.0	6.0	4.9						
$\phi 6.3 \times 4.5$ L	16.0	12.0	7.5	7.0	7.0	5.0	—	1	WX, WJ, WP, WT, WZ, WF, WG, UQ			
$\phi 3 \times 5.4$ L	12.0	8.0	5.5	3.6	3.6	5.8						
$\phi 4 \times 5.4$ L	12.0	8.0	5.5	4.7	4.7	5.8						
$\phi 5 \times 5.4$ L	12.0	12.0	5.5	6.0	6.0	5.8						
$\phi 6.3 \times 5.4$ L	16.0	12.0	7.5	7.0	7.0	5.8						
$\phi 8 \times 5.4$ L	16.0	12.0	7.5	8.7	8.7	5.8						
$\phi 4 \times 5.8$ L	12.0	8.0	5.5	4.7	4.7	6.3						
$\phi 5 \times 5.8$ L	12.0	12.0	5.5	6.0	6.0	6.3						
$\phi 6.3 \times 5.8$ L	16.0	12.0	7.5	7.0	7.0	6.3						
$\phi 4 \times 7$ L	12.0	8.0	5.5	4.7	4.7	7.5						
$\phi 5 \times 7$ L	16.0	12.0	7.5	6.0	6.0	7.5						
$\phi 6.3 \times 7$ L	16.0	12.0	7.5	7.0	7.0	7.5						
$\phi 6.3 \times 7.7$ L	16.0	12.0	7.5	7.0	7.0	8.0						
$\phi 6.3 \times 8.7$ L	16.0	12.0	7.5	7.0	7.0	9.1						
$\phi 8 \times 6.2$ L	16.0	12.0	7.5	8.7	8.7	6.8						
$\phi 8 \times 10$ L	24.0	16.0	11.5	8.7	8.7	11.0						
$\phi 8 \times 10.5$ L	24.0	16.0	11.5	8.7	8.7	11.5						
$\phi 10 \times 7.7$ L	24.0	16.0	11.5	10.7	10.7	8.4						
$\phi 10 \times 10$ L	24.0	16.0	11.5	10.7	10.7	11.0						
$\phi 10 \times 10.5$ L	24.0	16.0	11.5	10.7	10.7	11.5						
$\phi 10 \times 13.5$ L	24.0	16.0	11.5	10.7	10.7	14.1						
$\phi 12.5 \times 13.5$ L	32.0	24.0	14.2	14.0	14.0	14.0	—	2	CD, UG, UJ, UN, UH, UE, BC			
$\phi 12.5 \times 16$ L	32.0	24.0	14.2	14.0	14.0	16.3						
$\phi 12.5 \times 21$ L	32.0	24.0	14.2	14.0	14.0	21.3						
$\phi 16 \times 16.5$ L	44.0	28.0	20.2	17.5	17.5	16.8						
$\phi 16 \times 21.5$ L	44.0	28.0	20.2	17.5	17.5	21.8						
$\phi 18 \times 16.5$ L	44.0	32.0	20.2	19.5	19.5	16.8						
$\phi 18 \times 21.5$ L	44.0	32.0	20.2	19.5	19.5	21.8						
$\phi 20 \times 16.5$ L	44.0	36.0	20.2	21.5	21.5	17.0						
$\phi 20 \times 21.5$ L	44.0	36.0	20.2	21.5	21.5	22.0						

● Reel

Chip Aluminum Capacitors

23

13±0.5

Space to show remains

φD

A

3

φ50 MIN.

φB MAX.

Package quantity

φD	Q'ty / reel
3, 4	2,000pcs.
4 × 7	1,500pcs.
5, 6.3	1,000pcs.
6.3 × 7.7, 6.3 × 8, 8 × 8	900pcs.
6.3 × 8.7	800pcs.
8 × 5.4, 8 × 6.2, 8 × 7	1,000pcs.
8 × 10, 8 × 10.5, 10 × 7.7, 10 × 8, 10 × 10, 10 × 10.5	500pcs.
8 × 12, 10 × 12.7, 10 × 13.5	400pcs.
12.5 × 13.5	200pcs.
12.5 × 16	150pcs.
12.5 × 21, 16 × 16.5, 18 × 16.5	125pcs.
20 × 16.5	100pcs.
16 × 21.5, 18 × 21.5	75pcs.
20 × 21.5	50pcs.

Conductive Polymer Aluminum Solid Electrolytic Capacitors

φD	4	5	6.3	8	10
A	14	18	26		
B	382				

Aluminum Electrolytic Capacitors

φD	3, 4	5×3, 5×3.9, 5×4.5, 5×5.4, 5×5.8	5×7	6.3	8×5.4, 8×6.2	8×7, 8×10, 8×10.5, 10×7.7, 10×8, 10×10, 10×10.5, 10×13.5	12.5	16, 18, 20
A	14	14	18	18	18	26	34	46
B	382	382	382	382	382	382	332	332

■ Chip tray (for CD, UE, UG, UJ, UN, UH & BC series)

322.6

315.0

92.1

135.9

Hole

Polarized

Example : φ20 × 16.5

304.0

T2

T1

(mm)

Package quantity

φD	Q'ty / tray
12.5	70pcs.
16	60pcs.
18, 20	40pcs.

Size (φD × L)	T1	T2
12.5 × 13.5, 12.5 × 16	22	18
16 × 16.5, 18 × 16.5, 20 × 16.5	22.5	18.5
12.5 × 21	28	23
16 × 21.5, 18 × 21.5, 20 × 21.5	28.5	23.5