

**MP** series 5mmL, Bi-Polarized



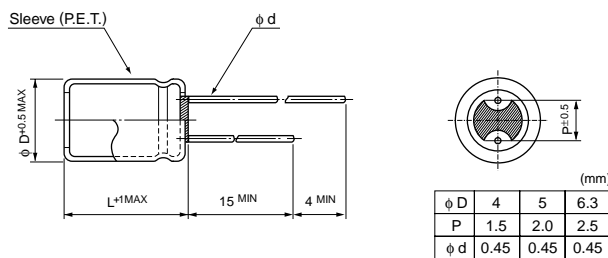
- Bi-polarized series with 5mm height.
- Adapted to the RoHS directive (2002/95/EC).



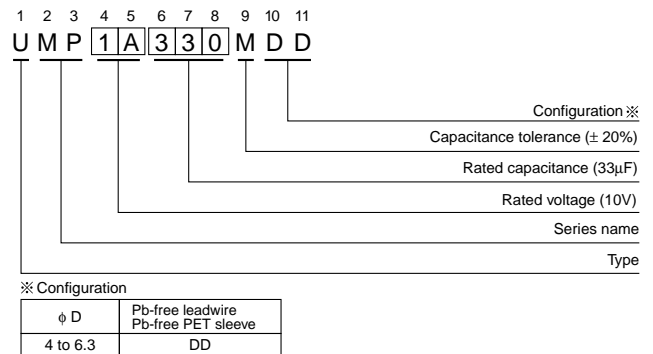
## Specifications

Item	Performance Characteristics																						
Category Temperature Range	-40 to +85°C																						
Rated Voltage Range	6.3 to 50V																						
Rated Capacitance Range	0.1 to 47μF																						
Rated Capacitance Tolerance	±20% at 120Hz, 20°C																						
Leakage Current	After 2 minutes' application of rated voltage, leakage current is not more than 0.05CV or 10 (μA), whichever is greater.																						
tan δ	Measurement frequency : 120Hz, Temperature : 20°C																						
	<table border="1"> <tr> <td>Rated voltage (V)</td> <td>6.3</td> <td>10</td> <td>16</td> <td>25</td> <td>35</td> <td>50</td> </tr> <tr> <td>tan δ (MAX.)</td> <td>0.24</td> <td>0.20</td> <td>0.17</td> <td>0.17</td> <td>0.15</td> <td>0.15</td> </tr> </table>	Rated voltage (V)	6.3	10	16	25	35	50	tan δ (MAX.)	0.24	0.20	0.17	0.17	0.15	0.15								
Rated voltage (V)	6.3	10	16	25	35	50																	
tan δ (MAX.)	0.24	0.20	0.17	0.17	0.15	0.15																	
Stability at Low Temperature	Measurement frequency : 120Hz																						
	<table border="1"> <tr> <td colspan="2">Rated voltage (V)</td> <td>6.3</td> <td>10</td> <td>16</td> <td>25</td> <td>35</td> <td>50</td> </tr> <tr> <td rowspan="2">Impedance ratio</td> <td>Z-25°C / Z+20°C</td> <td>4</td> <td>3</td> <td>2</td> <td>2</td> <td>2</td> <td>2</td> </tr> <tr> <td>ZT / Z20 (MAX.)</td> <td>8</td> <td>6</td> <td>4</td> <td>4</td> <td>3</td> <td>3</td> </tr> </table>	Rated voltage (V)		6.3	10	16	25	35	50	Impedance ratio	Z-25°C / Z+20°C	4	3	2	2	2	2	ZT / Z20 (MAX.)	8	6	4	4	3
Rated voltage (V)		6.3	10	16	25	35	50																
Impedance ratio	Z-25°C / Z+20°C	4	3	2	2	2	2																
	ZT / Z20 (MAX.)	8	6	4	4	3	3																
Endurance	<p>After 2000 hours' application of rated voltage at 85°C with the polarity inverted every 250 hours, capacitors meet the characteristic requirements listed at right.</p> <table border="1"> <tr> <td>Capacitance change</td> <td>Within ±20% of initial value</td> </tr> <tr> <td>tan δ</td> <td>200% or less of initial specified value</td> </tr> <tr> <td>Leakage current</td> <td>Initial specified value or less</td> </tr> </table>	Capacitance change	Within ±20% of initial value	tan δ	200% or less of initial specified value	Leakage current	Initial specified value or less																
Capacitance change	Within ±20% of initial value																						
tan δ	200% or less of initial specified value																						
Leakage current	Initial specified value or less																						
Shelf Life	After storing the capacitors under no load at 85°C for 1000 hours, and after performing voltage treatment based on JIS C 5101-4 clause 4.1 at 20°C, they will meet the specified value for endurance characteristics listed above.																						
Marking	Printed with white color letter on black sleeve.																						

## Radial Lead Type



## Type numbering system (Example : 10V 33μF)



## Dimensions

Cap.(μF)	Code	6.3		10		16		25		35		50	
		0J		1A		1C		1E		1V		1H	
0.1	0R1											4×5	1.0
0.22	R22											4×5	2.0
0.33	R33											4×5	2.8
0.47	R47											4×5	4.0
1	010											4×5	8.4
2.2	2R2									4×5	8.4	5×5	13
3.3	3R3							5×5	12	5×5	16	5×5	17
4.7	4R7					4×5	12	5×5	16	5×5	18	6.3×5	20
10	100			4×5	17	5×5	23	6.3×5	27	6.3×5	29		
22	220	5×5	28	6.3×5	33	6.3×5	37						
33	330	6.3×5	37	6.3×5	41	6.3×5	49						
47	470	6.3×5	45										

Case size φD×L (mm)      Rated ripple (mArms) at 85°C 120Hz

## Frequency coefficient of rated ripple current

Frequency	50 Hz	120 Hz	300 Hz	1 kHz	10 kHz or more
Coefficient	0.70	1.00	1.17	1.36	1.50

Please refer to page 20, 21, 22 about the formed or taped product spec.  
 Please refer to page 4 for the minimum order quantity.