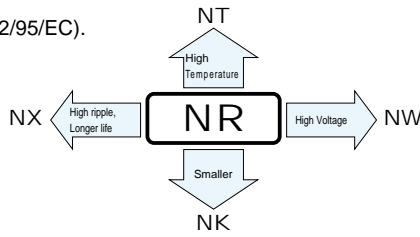


# ALUMINUM ELECTROLYTIC CAPACITORS

**NR** series Screw Terminal Type, 85°C Standard



- Load life of 5000 hours application of rated ripple current at 85°C.
- Extended range up to  $\phi 100 \times 250L$  size.
- Available for adapted to the RoHS directive (2002/95/EC).

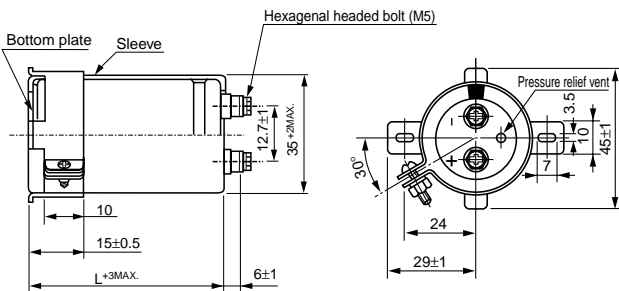


## Specifications

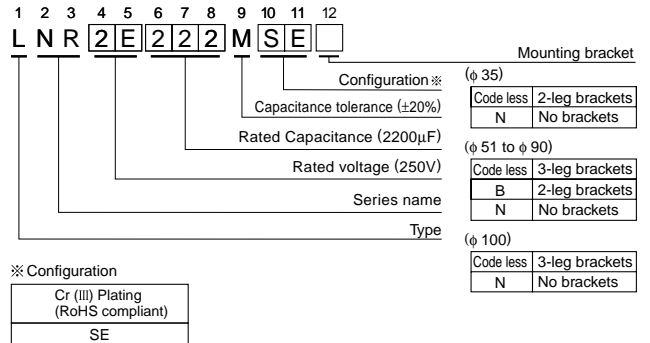
Item	Performance Characteristics											
Category Temperature Range	- 40 to +85°C (10 to 100V) , - 25 to +85°C (160 to 250V)											
Rated Voltage Range	10 to 250V											
Rated Capacitance Range	1000 to 2200000 $\mu$ F											
Capacitance Tolerance	$\pm 20\%$ at 120Hz, 20°C											
Leakage Current	After 5 minutes' application of rated voltage, leakage current is not more than $3\sqrt{CV}$ ( $\mu$ A) or 5 mA, whichever is smaller (at 20°C) . [C:Rated Capacitance ( $\mu$ F) , V:Voltage(V)]											
tan $\delta$ (MAX)	$\phi D$	V	10	16	25	35	50	63	80	100	160 to 250	Measurement frequency: 120Hz, Temperature : 20°C
	35	80 to 100	0.6	0.4	0.35	0.3	0.25	0.25	0.2	0.12	0.15	
		120	0.7	0.55	0.4	0.3	0.25	0.25	0.2	0.15	0.15	
	51	70 to 100	0.9	0.6	0.45	0.35	0.25	0.25	0.2	0.15	0.15	
		120 to 140	1.0	0.8	0.5	0.4	0.3	0.25	0.2	0.15	0.15	
	63.5	100	0.9	—	—	0.5	0.35	0.3	0.25	—	0.2	
		120 to 140	1.2	0.75	0.65	—	—	0.3	0.3	0.2	0.2	
	76.2	100	1.6	—	—	0.65	—	—	—	—	0.2	
120 to 140		1.6	1.1	0.75	0.75	0.55	0.5	0.35	0.3	0.2		
90	140 to 220	2.0	1.5	1.0	0.9	0.75	0.6	0.4	0.3	0.25		
100	250	2.4	1.5	1.0	0.9	0.75	0.6	0.4	0.3	0.25		
Stability at Low Temperature	Rated voltage(V)		10 to 100				160 to 250				Measurement frequency : 120Hz	
	Impedance ratio ZT/Z20(MAX.)		Z - 40°C / Z+20°C				Z - 25°C / Z+20°C					
			12				8					
Endurance	After an application of DC voltage (in the range of rated DC voltage even after over-lapping the specified rated ripple current) for 5000 hours at 85°C, capacitors meet the characteristic requirements listed at right.		Capacitance change	Within $\pm 15\%$ of initial value								
			tan $\delta$	175% or less of initial specified value								
			Leakage current	Initial specified value or less								
Shelf Life	After storing the capacitors under no load at 85°C for 1000 hours, and after performing voltage treatment based on JIS C 5101-4 clause 4.1 at 20°C, they will meet the requirements listed at right.		Capacitance change	Within $\pm 20\%$ of initial value								
			tan $\delta$	175% or less of initial specified value								
			Leakage current	Initial specified value or less								
Marking	Printed with black color letter on light blue sleeve.											

## Drawing

$\phi 35$  Screw terminal type



## Type numbering system (Example : 250V 2200 $\mu$ F)



● Dimension table in next page.



