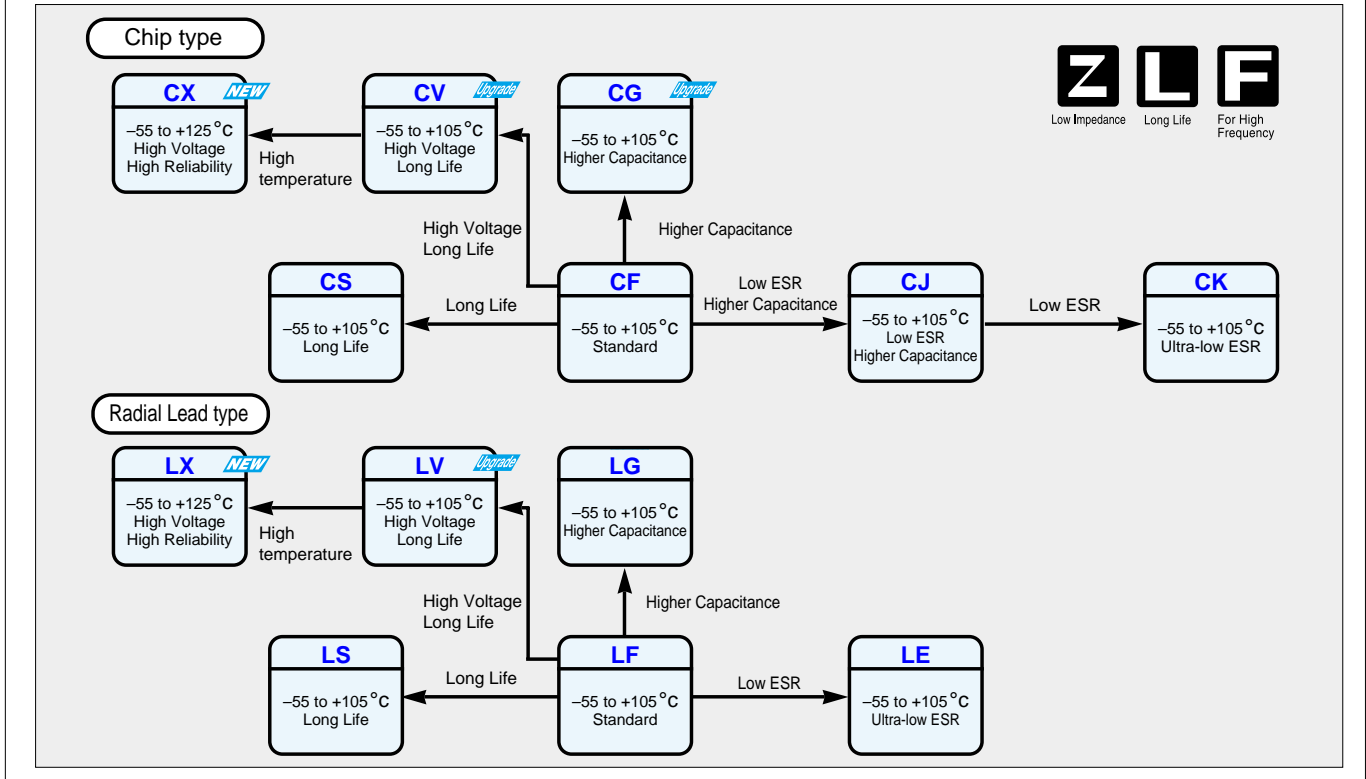


Conductive Polymer Aluminum Solid Electrolytic Capacitors



※ Please refer to the catalog (CAT.8200), or website about **FPCAP**. URL : [http://www.nichicon.co.jp/english/products/fpcap\\_catalog.html](http://www.nichicon.co.jp/english/products/fpcap_catalog.html)