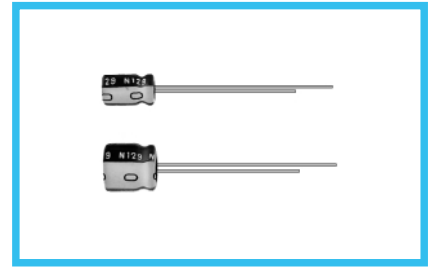
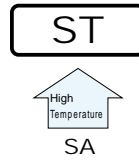


ALUMINUM ELECTROLYTIC CAPACITORS

ST 7mmL, Wide Temperature Range
series



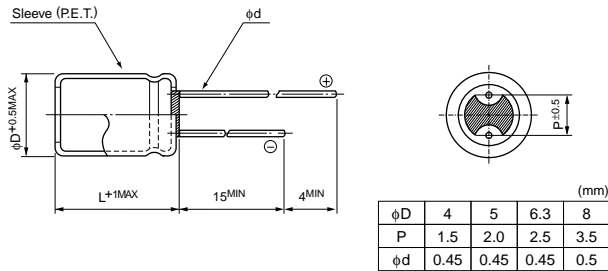
- Wide temperature range of -55 to +105°C, with 7mm height.
- Compliant to the RoHS directive (2002/95/EC).



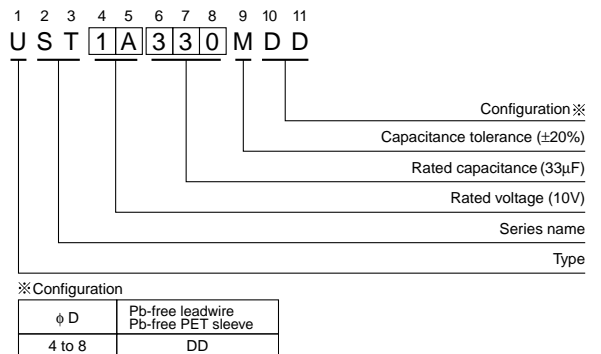
Specifications

Item	Performance Characteristics							
Category Temperature Range	-55 to +105°C							
Rated Voltage Range	6.3 to 50V							
Rated Capacitance Range	0.1 to 220μF							
Capacitance Tolerance	±20% at 120Hz, 20°C							
Leakage Current	After 2 minutes' application of rated voltage, leakage current is not more than 0.01CV or 3 (μA), whichever is greater.							
Tangent of loss angle (tan δ)	Measurement frequency : 120Hz, Temperature : 20°C							
	Rated voltage (V)	6.3	10	16	25	35	50	
	tan δ (MAX.)	0.24	0.21	0.18	0.15	0.13	0.12	
Stability at Low Temperature	Measurement frequency : 120 Hz							
	Rated voltage (V)		6.3	10	16	25	35	50
	Impedance ratio	Z-25°C / Z+20°C	3	2	2	2	2	2
	ZT / Z20 (MAX.)	Z-40°C / Z+20°C	6	5	4	3	3	3
Endurance	The specifications listed at right shall be met when the capacitors are restored to 20°C after the rated voltage is applied for 1000 hours at 105°C.							
	Capacitance change	Within ±25% of the initial capacitance value (16V or less) Within ±20% of the initial capacitance value (25V or more)						
	tan δ	200% or less than the initial specified value						
	Leakage current	Less than or equal to the initial specified value						
Shelf Life	After storing the capacitors under no load at 105°C for 1000 hours and then performing voltage treatment based on JIS C 5101-4 clause 4.1 at 20°C, they shall meet the specified values for the endurance characteristics listed above.							
Marking	Printed with white color letter on black sleeve.							

Radial Lead Type



Type numbering system (Example : 10V 33μF)



Dimensions

Cap.(μF)	Code	V		6.3		10		16		25		35		50		
		0J	1A	1C	1E	1V	1H									
0.1	0R1													4 × 7	1.0	
0.22	R22													4 × 7	2.3	
0.33	R33													4 × 7	3.5	
0.47	R47													4 × 7	5.0	
1	010													4 × 7	10	
2.2	2R2													4 × 7	19	
3.3	3R3													4 × 7	24	
4.7	4R7												4 × 7	24	5 × 7	29
10	100					4 × 7	29	5 × 7	33	5 × 7	36	6.3 × 7	44			
22	220	4 × 7	34	5 × 7	38	5 × 7	44	6.3 × 7	51	6.3 × 7	57	8 × 7	65			
33	330	5 × 7	42	5 × 7	47	6.3 × 7	57	6.3 × 7	63	8 × 7	72					
47	470	5 × 7	50	6.3 × 7	59	6.3 × 7	68	8 × 7	78							
100	101	6.3 × 7	77	8 × 7	96	8 × 7	107									
220	221	8 × 7	130	8 × 7	140									Case size φD × L (mm)	Rated ripple	

Rated ripple current 120Hz

Frequency coefficient of rated ripple current

Frequency	50 Hz	120 Hz	300 Hz	1 kHz	10 kHz or more
Coefficient	0.70	1.00	1.17	1.36	1.50

Please refer to page 20, 21, 22 about the formed or taped product spec.
Please refer to page 4 for the minimum order quantity.